

# FPK02-AP280

**In-line high pressure filters,  
up to 420 bar**



## Technical Data

- Filter head casting in spheroidal cast iron.
- Extruded steel bowl.
- Operating pressure at 42 MPa (420 bar)
- Static pressure testing at 63 MPa (630 bar).
- Fatigue pressure of 2.000.000 cycles at 0 - 30 MPa (0 - 300 bar) per NFPA T 3.10.5.1.
- By-pass valve setting 350 kPa (3,5 bar) per ISO3968.
- Operating temperature -20 +120°C.
- Compatibility hydraulic fluids per ISO 2943.
- Flow rate and pressure drop per ISO3968 with oil kinematic viscosity 30 cSt at 40°C and density 0,875 kg/dm<sup>3</sup>.
- Ports threaded per ISO 228/1.

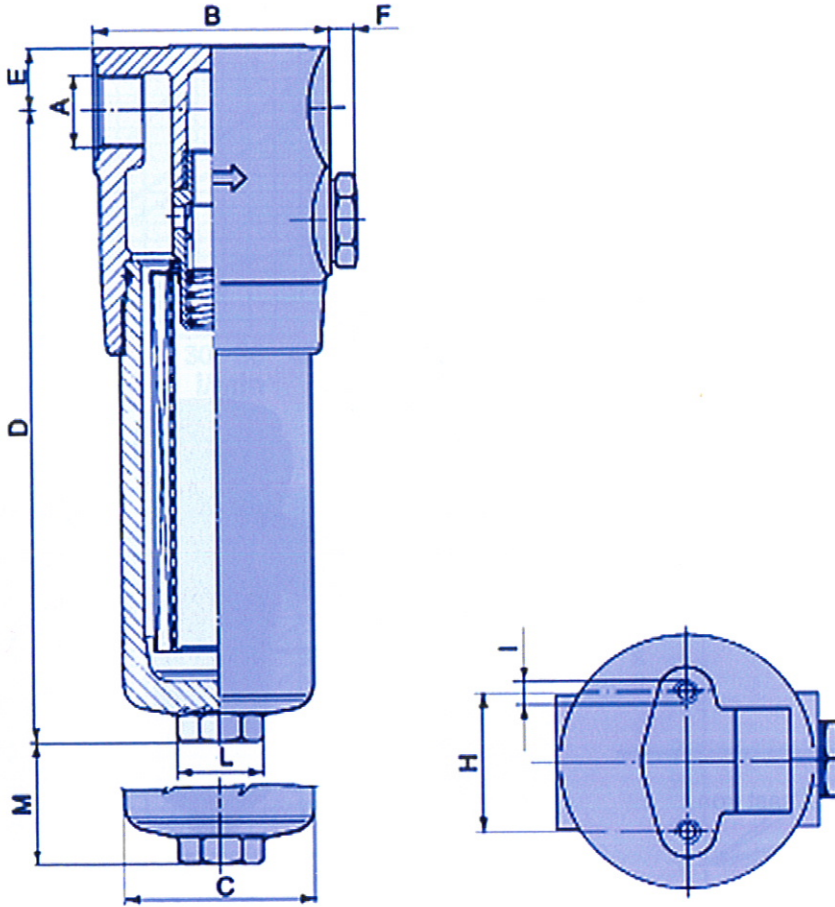
## Filter Elements

- Synteq® synthetic media (5 - 10 - 25 micron), reinforced with wire mesh.
- Collapse resistance 2 MPa (20 bar) per ISO 2941. (They can also be supplied at 21 MPa (210 bar) on customer's request).

# FPK02-AP280

In-line high pressure filters,  
up to 420 bar

## Specifications



		/03		/02		/01		
		SYNTHETIC MEDIA						
		$\beta_{23(c)}=1000$		$\beta_{11(c)}=1000$		$\beta_{8(c)}=1000$		
FLOW l/min	TYPE	ELEMENT	FLOW l/min	TYPE	ELEMENT	FLOW l/min	TYPE	ELEMENT
30	K020104 AP 358.03	P171715 CM 230/03	30	K020103 AP 358.02	P171714 CM 230/02	20	K0201691 AP 358.01	P171713 CM 230/01
50	K020110 AP 359.03	P165136 CM 250/03	50	K020109 AP 359.02	P165006 CM 250/02	40	K020108 AP 359.01	P165041 CM 250/01
90	K020116 AP 360.03	P165138 CM 290/03	90	K020115 AP 360.02	P165015 CM 290/02	70	K020114 AP 360.01	P165043 CM 290/01

## Service Indicators

### ELECTRONIC DIFFERENTIAL PRESSURE INDICATOR

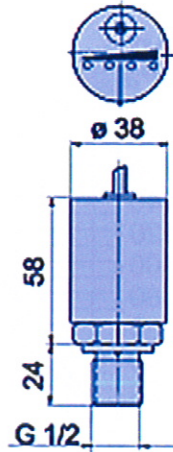
Measures element restriction and indicates servicing required

**P171970** (505.06)

Setting: 500 kPa (5 bar)

Max. values: 30 ACV - 0,5 A res. - 0,2 A ind.

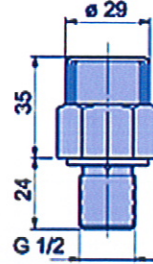
Protection class: IP 65



### VISUAL DIFFERENTIAL PRESSURE INDICATOR

**P171945** (506.06)

Setting: 500 kPa (5 bar)



### VISUAL ELECTRICAL DIFFERENTIAL PRESSURE INDICATOR

**P171947** (507.03)

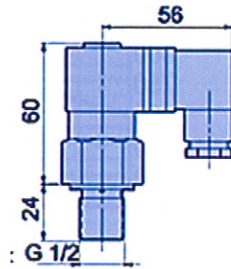
**P171944** (507.06) with thermostat at min. temperature at 30°C

Setting: 500 kPa (5 bar)

Max. values: 250 ACV - 30 DCV - 5 A res. and ind.

Protection class: IP 65

Cable clamp: PG 11



### ELECTRICAL DIFFERENTIAL PRESSURE INDICATOR

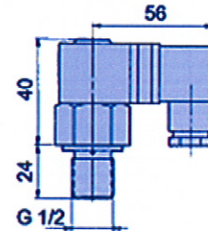
**P761056**

Setting: 500 kPa (5 bar)

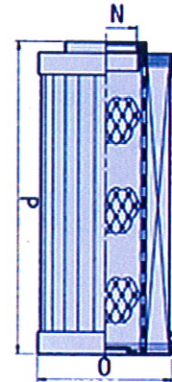
Max. values: 250 ACV - 30 DCV - 5 A res. and ind.

Protection class: IP 65

Cable clamp: PG 11



DIMENSIONS ASSY (mm)											DIMENSIONS ELEMENT (mm)		
A	B	C	D	E	F	H	I	L	M	Kg.	N	O	P
G 1/2	85	70	174	23	9	46	M8	Hex30	40	3,5	25,4	46	87
G 1/2	85	70	200	23	9	46	M8	Hex30	40	4,2	25,4	46	113
G 3/4	85	70	301	23	9	46	M8	Hex30	40	6,0	25,4	46	208



# FPK02-AP280

In-line high pressure filters,  
up to 420 bar

## Performance Curves

